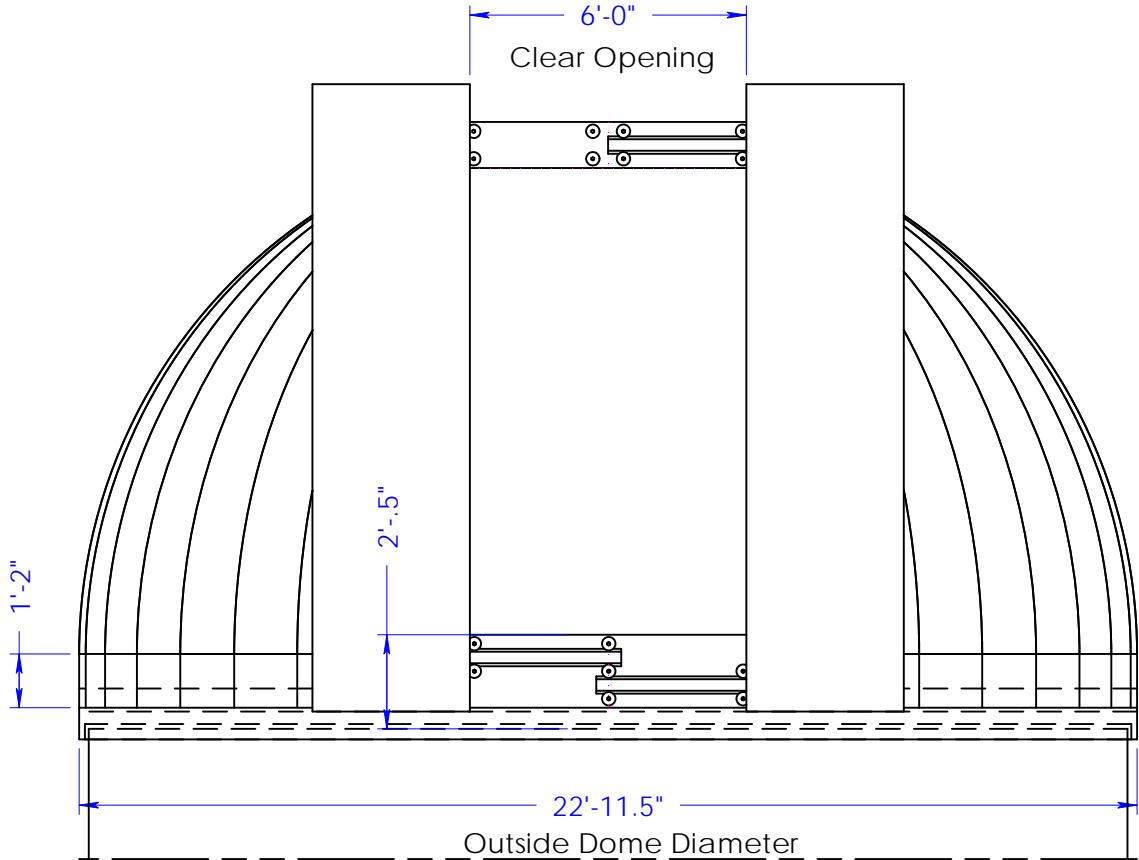
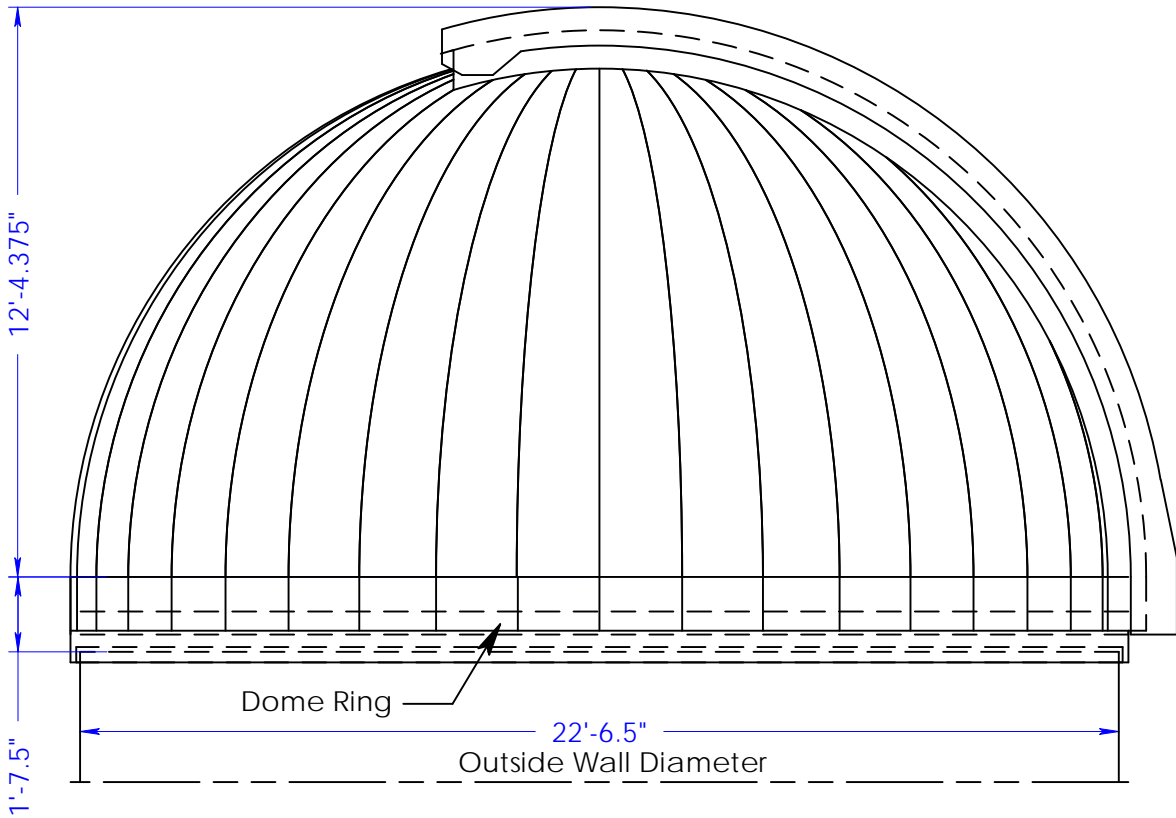


7 METER ELEVATION



Springline  
Wall



<b>Observa-Dome Labs., Inc.</b>		
DETAIL: <i>Elevation Detail</i>		
CLIENT: <i>Praxis Inc./Naval Research Lab.</i>		
DRAWING NUMBER: <b>OBD 7M 100</b>	SCALE: <b>1:50</b>	DATE / REV <b>8/26/01</b>